

# ATEQ BENCH DG5

*Leak and Flow bench control  
for the gas industry*



- SESAME SOFTWARE
- INTERFACE: PC WINDOWS BASED SOFTWARE
- PC PLATFORM OFFERS FLEXIBLE CONFIGURATION
- RACK 19" 6U

## 5 SERIES

*The DG5 bench is designed for the gas industry and provides the operator with visual real time gas leak and flow measurements.*

*Equipped with a leak measurement module (G5) a flow measurement module (D5) and a convivial PC interface developed by ATEQ (Sesame software),*



### Main Features

- Unlimited number of programs
- Calibration on Master jets
- Automatic start with bar code reader
- Autotest
- Displays test curves in real time
- Autosaving of the results on PC
- Adjustable reject levels
- Automatic compensation of pressure variation
- Test results of each parts can be printed on a label that the operator sticks on the tested part (according to option, computer and printer)
- Operator remote control
- Additional tests available (test flame and safety)

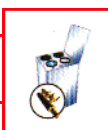
### Options

Gas Rack to realize the visual control of flame



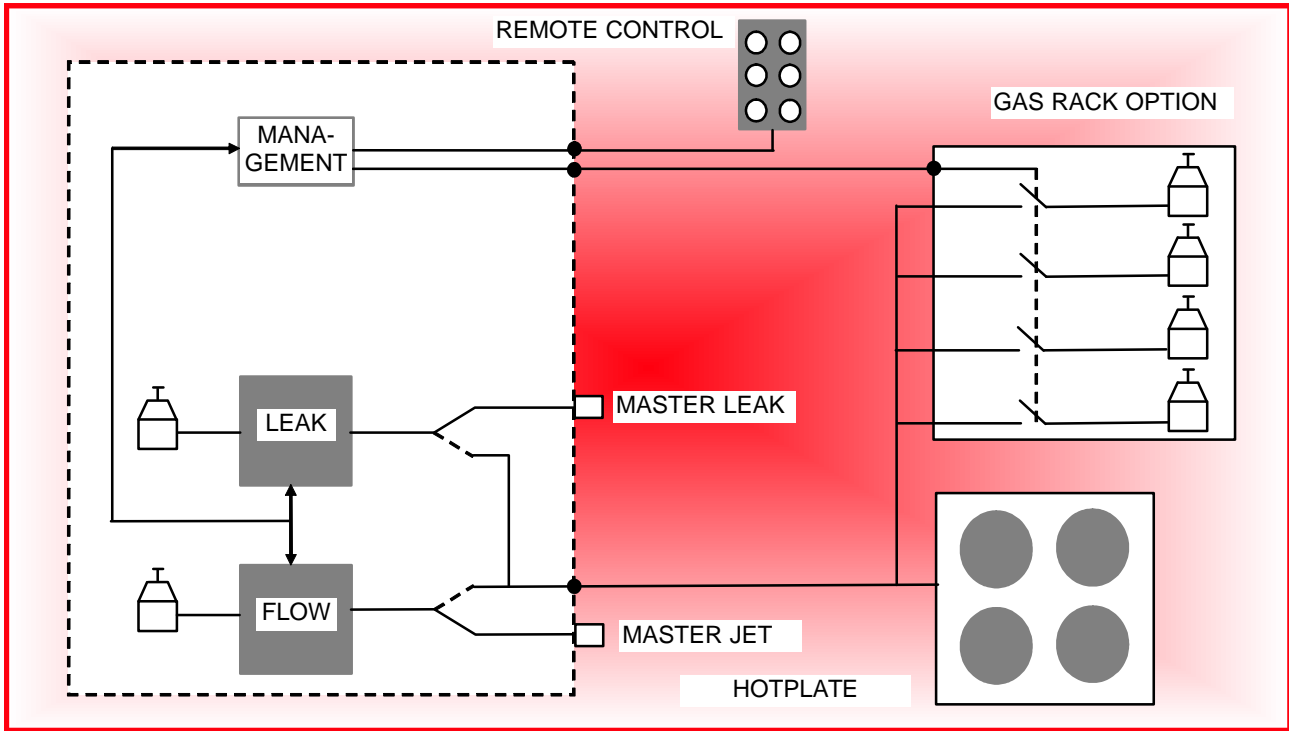
### Applications

**Gas industry:**  
cookers, valve, gas taps, gas burners, exchangers of heats of boiler...





## General Principle



## Measurement range

ATEQ D5 PRESSURE MEASUREMENT		
RANGE	ACCURACY	MAXIMUM RESOLUTION
F.S. = 75 mbar	$\pm(1.5\% \text{ of the pressure} + 0.2 \text{ hPa})$	01% of the F.S.

ATEQ D5 FLOW MEASUREMENT		
RANGE	ACCURACY	MAXIMUM RESOLUTION
500 l/h	$\pm (2.5\% F + 0.5 \text{ l/h})$	$\geq 1\% \text{ of the F.S.}$
1 500 l/h	$\pm (2.5\% F + 1.5 \text{ l/h})$	$\geq 1\% \text{ of the F.S.}$

F = Flow - F.S. = Full scale

ATEQ G5 PRESSURE MEASUREMENT		
RANGE	ACCURACY	MAXIMUM RESOLUTION
5 - 50 kPa	$\pm (1.5\% \text{ of the pressure} + 3 \text{ hPa})$	0.1% of the F.S.

ATEQ G5 FLOW MEASUREMENT		
RANGE	ACCURACY	MAXIMUM RESOLUTION
1000 cm <sup>3</sup> .atm/h	$\pm (3.5\% \text{ of the value} + 5 \text{ cm}^3.\text{atm/h})$	1 cm <sup>3</sup> .atm/h



## Technical specifications

- **Physical**  
Weight: around 26 kg  
Dimensions (in mm): Rack 19" 6U. d: 460  
External keyboard
- **External electrical supply**  
Electrical power supply: 230 V AC +/- 15 %, Voltage 500W
- **Air supply**  
600 kPa (6 bar) +/- 15 %. Clean and dry air required  
Air quality standard to be applied (ISO 8573-1)
- **Temperature**  
Operating : + 5°C to + 35°C  
Storage : + 5°C to + 35°C

### Accessories

6 functions remote control  
Printer  
Needle valve  
Leak Jets  
Filtration kit  
Sealing Connectors  
Leak Flow calibrator  
*Please refer to ATEQ accessories list*



Head office:  
15, rue des Dames - ZI des Dames - 78340 Les Clayes-Sous-Bois - France  
☎ : + 33 (0)1 30 80 10 20 - Fax : + 33 (0)1 30 54 11 00 - e-mail : info@ateq.com  
www.ateq.com